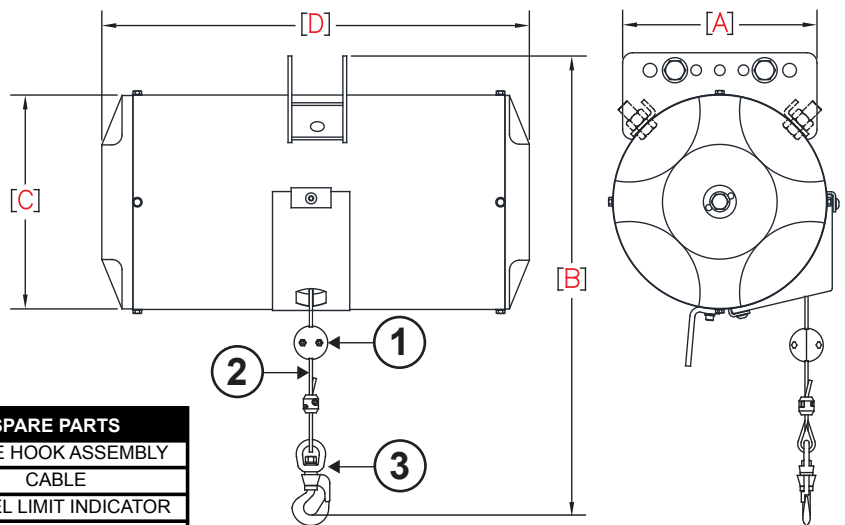


KBA Cable Air Balancer Series



Air Balancers are used in applications where a "float" condition is beneficial. Float allows for the hands-free final positioning of an object. The up/down speed of a air balancer is quicker when compared to a hoist and allows for a "feathering" operation when locating the load. The pendant controls are ergonomically designed incorporating color coded thumb levers.

Cable Air Balancers use a carbon steel Galvanized Independent Wire Rope Core (GIWRC) with a minimum breaking strength of 1815 kg (4000 lbs) and an actual test breaking load of 2687 kg (5923 lbs.). The 1/4" (6.35 mm) cable has a minimum breaking strength of 3175 kg (7000 lbs.).



KBA CABLE SERIES SPARE PARTS			
DET	QTY	PART #	DESCRIPTION
3	1	BPA2020	CABLE HOOK ASSEMBLY
2	1	BPD2030	CABLE
1	1	BPA2009	TRAVEL LIMIT INDICATOR

Formula for Air Balancer sizing:

Example: plant air 80 psi, 350 air balancer, 80% load capability (0.80 air supply x 350 lbs. = 280 x .80 = 224 lbs. load capability).

MODEL #	Rated at 100 PSI		TRAVEL in [mm]	(A) in [mm]	(B) (min.) in [mm]	(C) in [mm]	(D) in [mm]	UNIT WEIGHT lbs [kg]
	RATED CAPACITY lbs [kg]							
KBA100-028	100 [45]		28 [711]	8 1/2 [216]	17 3/4 [450]	6 1/2 [165]	9 3/8 [238]	35.0 [16]
KBA150-076	150 [68]		76 [1,930]	8 1/2 [216]	17 3/4 [450]	6 1/2 [165]	15 1/2 [394]	49.0 [22]
KBA225-073	225 [102]		73 [1,854]	8 1/2 [216]	19 3/4 [501]	8 3/4 [222]	16 3/4 [426]	61.0 [28]
KBA225-110	225 [102]		110 [2,794]	9 3/4 [248]	21 3/4 [552]	10 3/4 [273]	16 1/4 [413]	88.0 [40]
KBA350-073	350 [159]		73 [1,854]	9 3/4 [248]	22 [558]	10 3/4 [273]	16 1/4 [413]	76.0 [34]
KBA500-080	500 [227]		80 [2,032]	9 3/4 [248]	22 [558]	10 3/4 [273]	21 13/16 [554]	112.0 [51]
KBA700-054	700 [318]		54 [1,372]	9 3/4 [248]	22 [558]	10 3/4 [273]	21 13/16 [554]	91.0 [41]

**** Knight recommends the use of a high performance, extreme pressure, anti-wear food grade penetrating oil that penetrates and lubricates cable and all types of moving parts. (Lubri-Link-Green®)**