

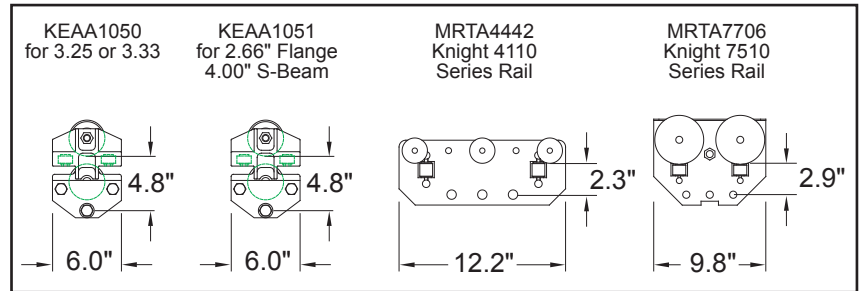
KEAA1500 Features

- Zero-gravity tool balancing
- Expands the working area of a typical balancer
- Adjusts reach in (4) four positions (see page 2)
- Up/Down positions of 10° to avoid clearance issues
- Controls sold separately
 - Up/Down or Balance

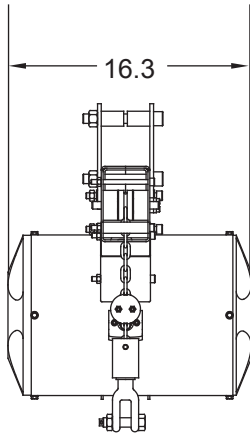
Lifting Capacity		Travel
Model	100 P.S.I.	Inches
KEAA15-200	200 lbs.	110
KEAA15-350	350 lbs.	67
KEAA15-500	500 lbs.	80
KEAA15-700	700 lbs.	50

KNIGHT BALANCER EXTENSION ARMS

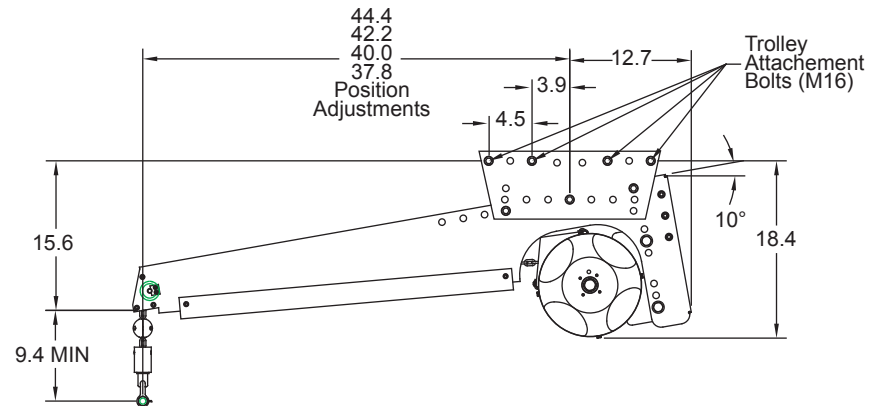
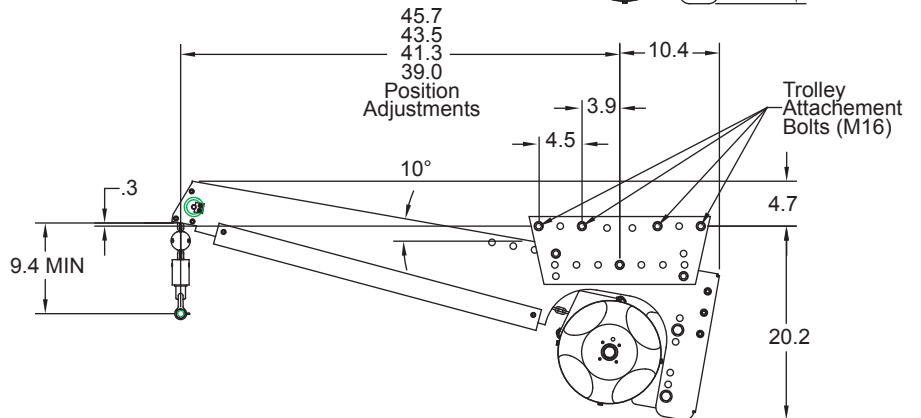
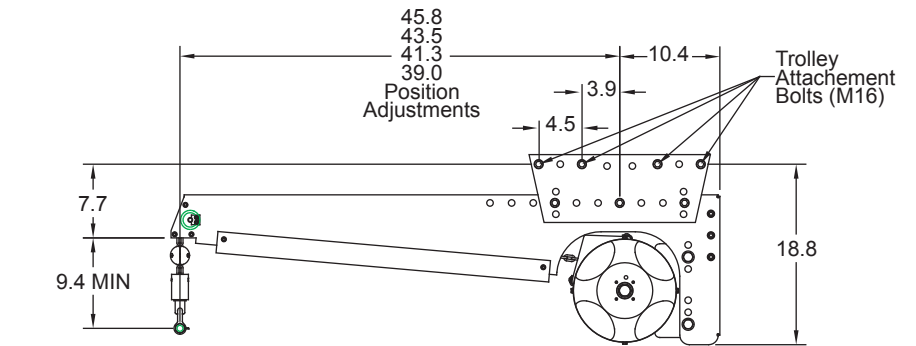
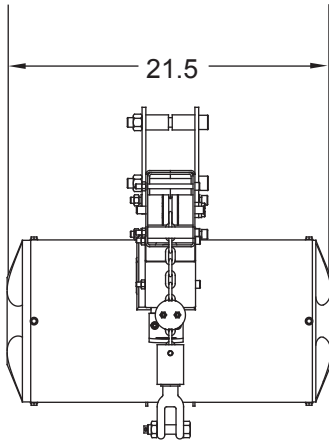
Trolleys (Custom Trolleys Available)



200 and 350



500 and 700



EXAMPLE:
ORDER # : KEAA15_500

Arm Desc.	Capacity
KEAA15	XXX
	200
	350
	500
	700
ARM	