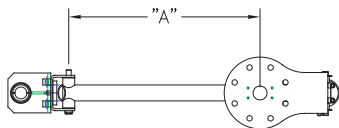
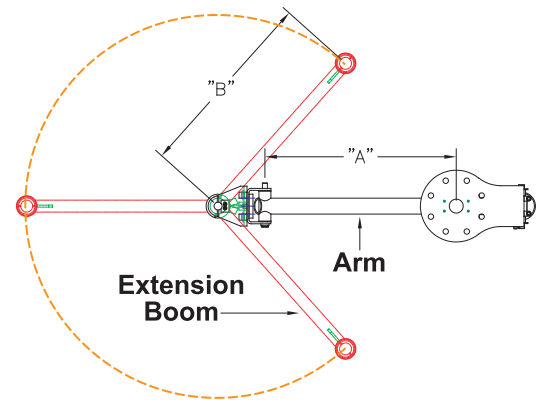
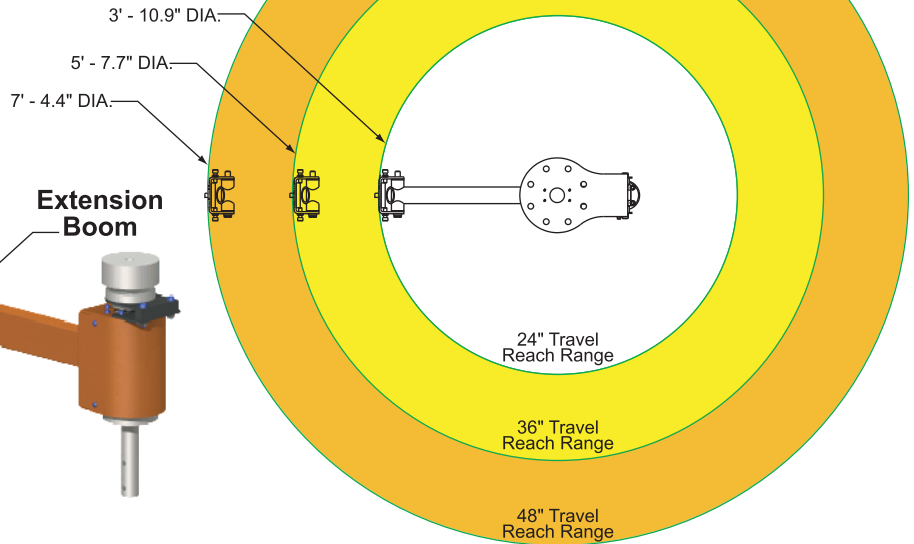
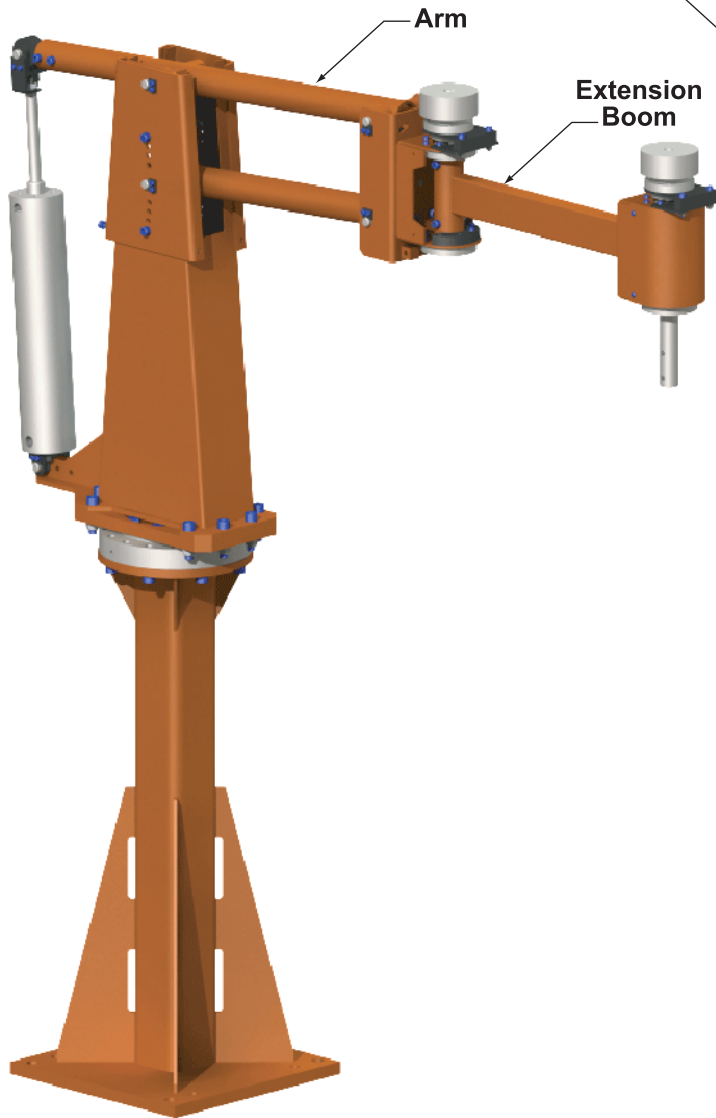


AOA7000 Articulating Arm

BALANCING CAPACITY MAX @ 100 psi: 470 lbs[213.2kg]

- Zero-gravity tool balancing
- Elimination of torque reaction exposure
- Reduces operator fatigue
- Controls sold separately
 - Up/Down or Balance



Arm Capacity without Extension Boom

Arm Length "A"	60 P.S.I.	80 P.S.I.	100 P.S.I.
24" 609mm	285 lbs. 129kg	375 lbs. 170kg	470 lbs. 213kg
36" 914mm	225 lbs. 102kg	320 lbs. 145kg	375 lbs. 170kg
48" 1219mm	180 lbs. 81kg	255 lbs. 115kg	325 lbs. 147kg

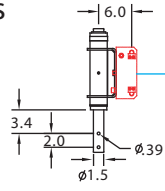
Arm Capacity with Extension Boom

Arm Length "A"	Boom Length "B"	Capacity
24" 609mm	24" 609mm	225 lbs. 129kg
	36" 914mm	180 lbs. 81kg
	48" 1219mm	145 lbs. 66kg
36" 914mm	24" 609mm	205 lbs. 93kg
	36" 914mm	160 lbs. 73kg
	48" 1219mm	130 lbs. 59kg
48" 1219mm	24" 609mm	155 lbs. 70kg
	36" 914mm	125 lbs. 57kg
	48" 1219mm	105 lbs. 48kg

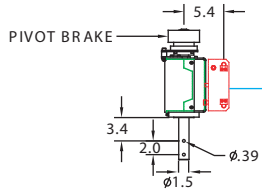
KNIGHT TORQUE ARMS

Arm Extensions

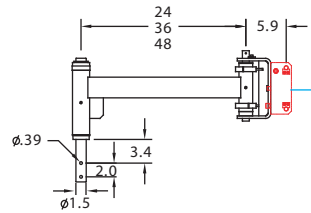
Extension Arm (B)



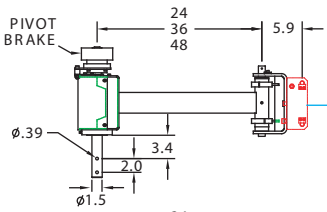
Extension Arm (C)
(1) PIVOT BRAKE



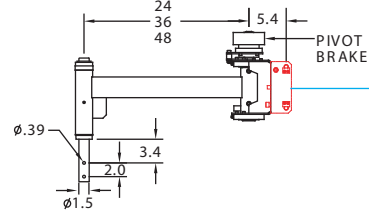
Extension Arm (D)



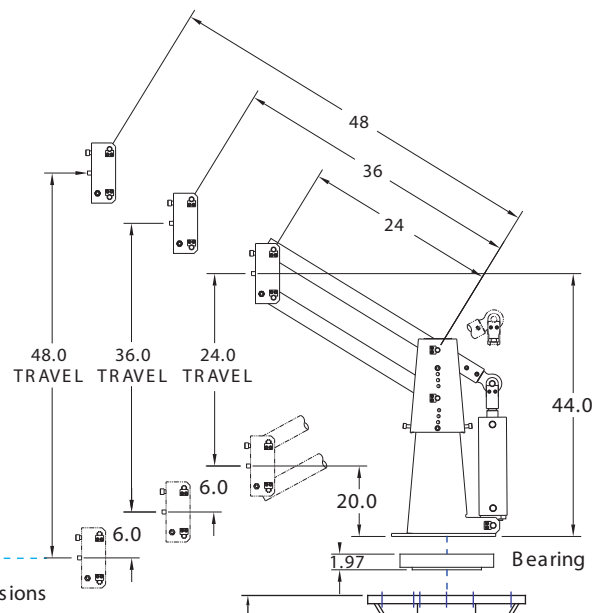
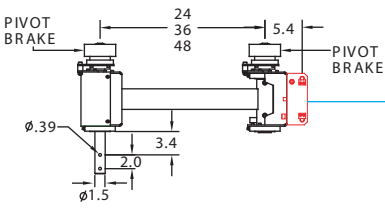
Extension Arm (E)
(1) PIVOT BRAKE



Extension Arm (F)
(1) PIVOT BRAKE

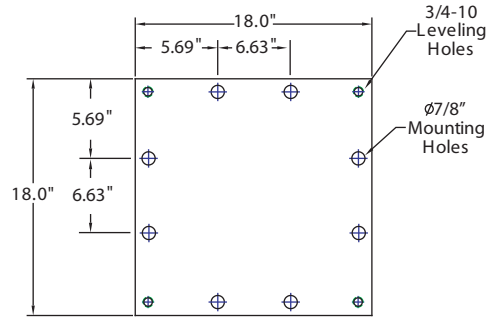
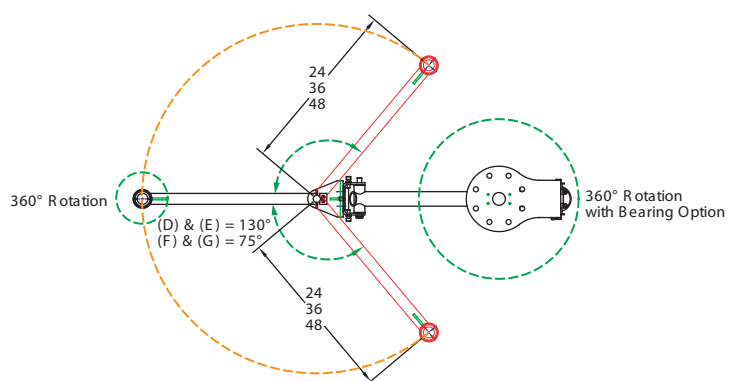
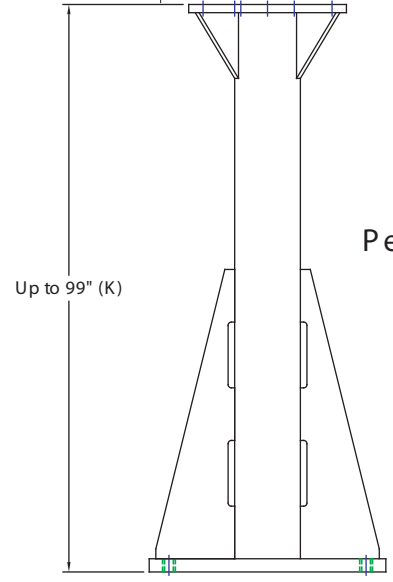


Extension Arm (G)
(2) PIVOT BRAKE



Arm Extensions

Pedestal Options



ORDER # EX: P7_24_G48_H_K99

Optional [Omit if not required]				
Arm Desc.	Arm Length	Arm Extension	Bearing	Pedestal Height
P7	XX	XXX	X	XXX
	24 36 48	B C D24, D36, or D48 E24, E36, or E48 F24, F36, or F48 G24, G36, or G48	H = yes J = no	Specify Height (Inches) KXX
ARM		ARM ACCESSORIES		