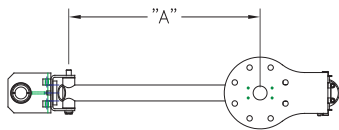
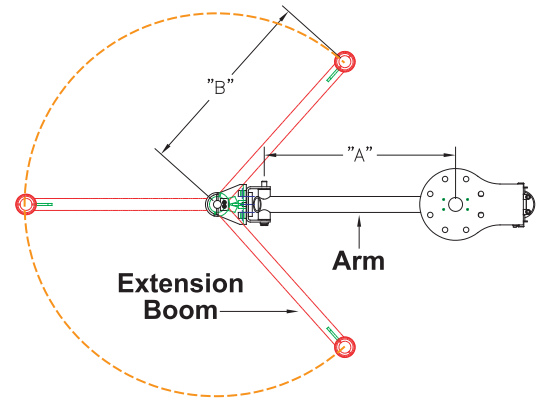
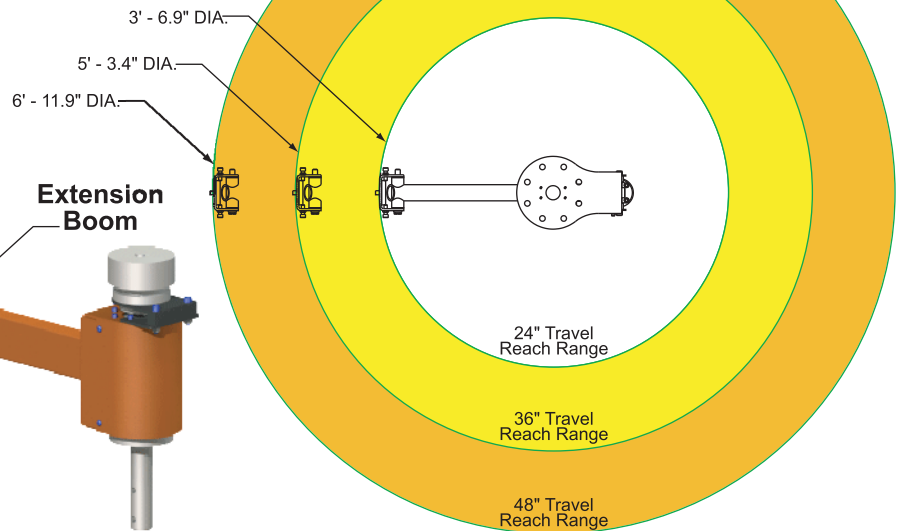
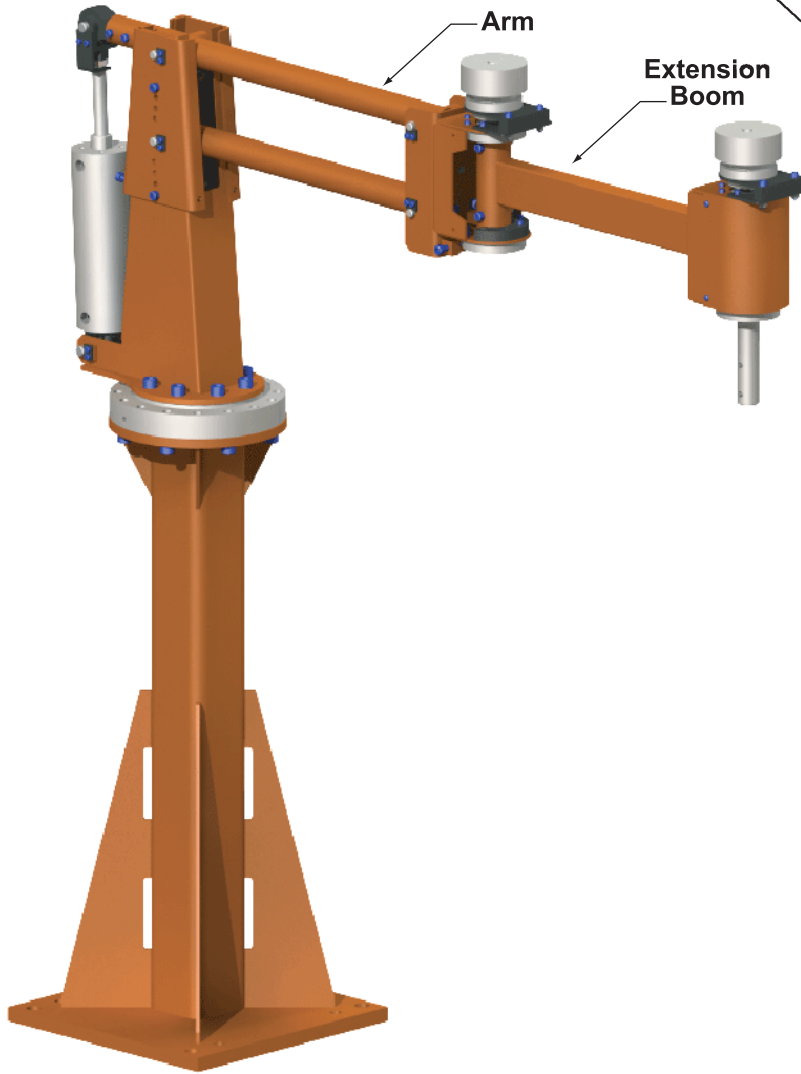


AOA5000 Articulating Arm

MAX CAPACITY @ 100 psi: 300 lbs[136kg]

- Zero-gravity tool balancing
- Elimination of torque reaction exposure
- Reduces operator fatigue
- Controls sold separately
 - Up/Down or Balance



Arm Capacity without Extension Boom

| Arm Length "A" | 60 P.S.I. | 80 P.S.I. | 100 P.S.I. |
|----------------|------------------|-------------------|-------------------|
| 24" 609mm | 175 lbs. 79kg | 225 lbs. 102kg | 300 lbs. 136kg |
| 36" 914mm | 105 lbs. 48kg | 150 lbs. 68kg | 205 lbs. 93kg |
| 48" 1219mm | 70 lbs. 32kg | 110 lbs. 50kg | 140 lbs. 63kg |

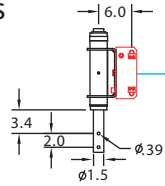
Arm Capacity with Extension Boom

| Arm Length "A" | Boom Length "B" | Capacity |
|----------------|-----------------|------------------|
| 24" 609mm | 24" 609mm | 200 lbs. 91kg |
| | 36" 914mm | 170 lbs. 77kg |
| | 48" 1219mm | 135 lbs. 61kg |
| 36" 914mm | 24" 609mm | 185 lbs. 84kg |
| | 36" 914mm | 155 lbs. 70kg |
| | 48" 1219mm | 105 lbs. 48kg |
| 48" 1219mm | 24" 609mm | 125 lbs. 57kg |
| | 36" 914mm | 100 lbs. 45kg |
| | 48" 1219mm | 85 lbs. 39kg |

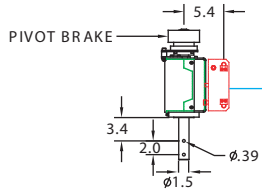
KNIGHT TORQUE ARMS

Arm Extensions

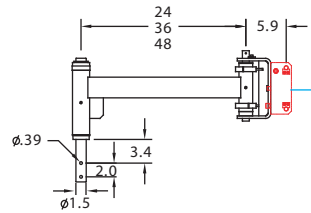
Extension Arm (B)



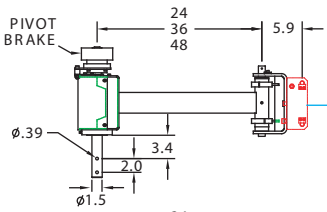
Extension Arm (C)
(1) PIVOT BRAKE



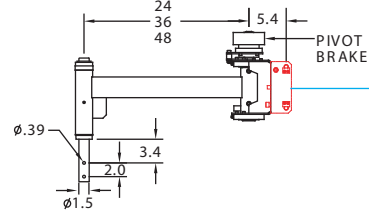
Extension Arm (D)



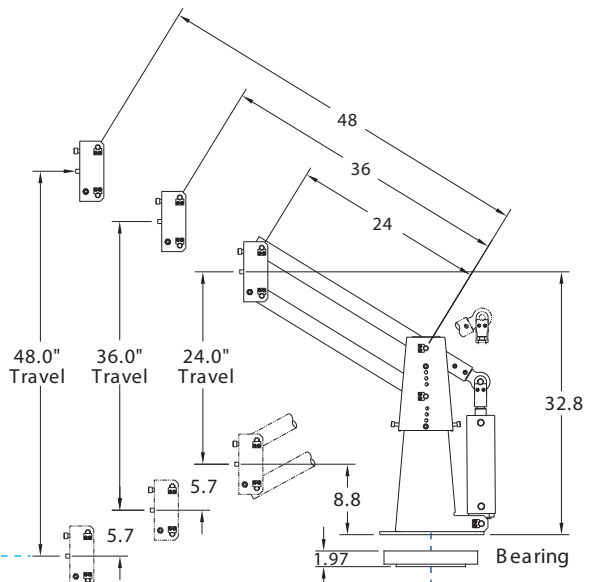
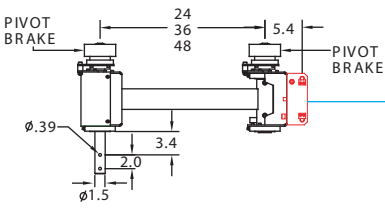
Extension Arm (E)
(1) PIVOT BRAKE



Extension Arm (F)
(1) PIVOT BRAKE

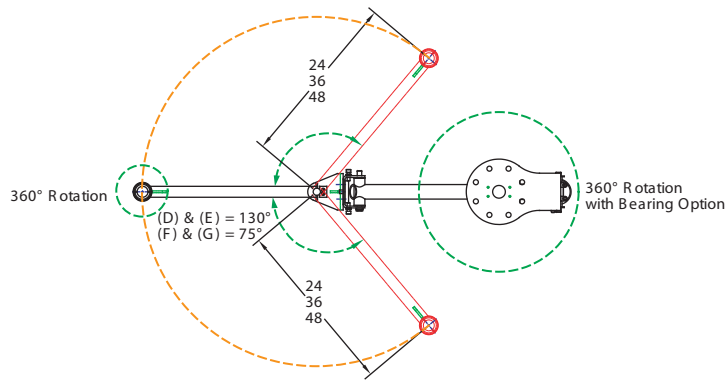
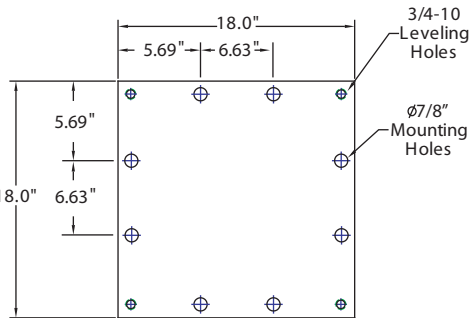


Extension Arm (G)
(2) PIVOT BRAKE



Pedestal Options

Up to 99" (K)



ORDER # EX: P5_24_G48_H_K99

Optional [Omit if not required]

| Arm Desc. | Arm Length | Arm Extension | Bearing | Pedestal Height |
|-----------|----------------|--|-------------------|--------------------------------|
| P5 | XX | XXX | X | XXX |
| | 24 36 48 | B C D24, D36, or D48 E24, E36, or E48 F24, F36, or F48 G24, G36, or G48 | H = yes J = no | Specify Height (Inches) KXX |
| ARM | | ARM ACCESSORIES | | |