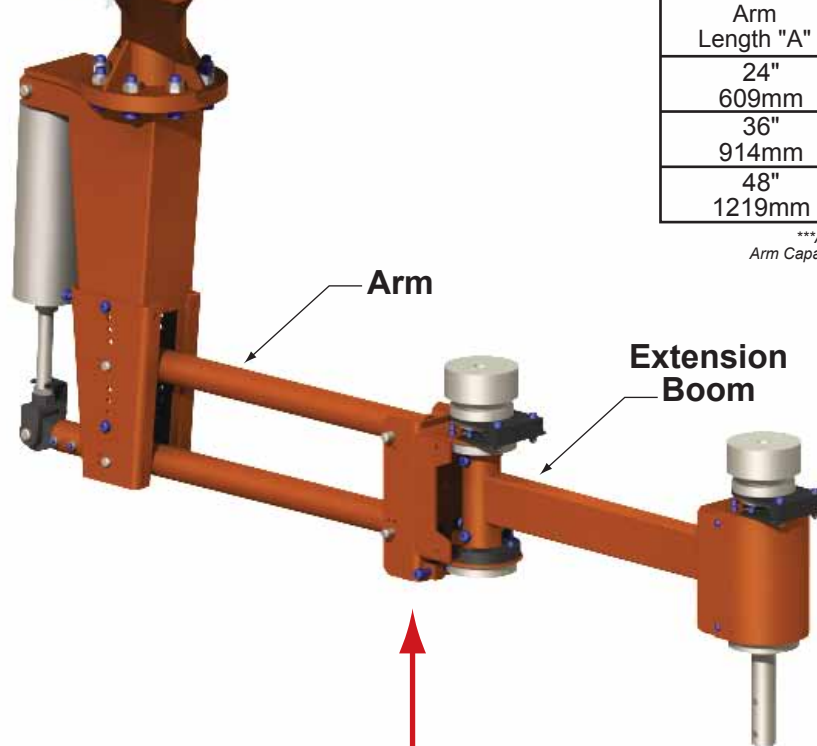
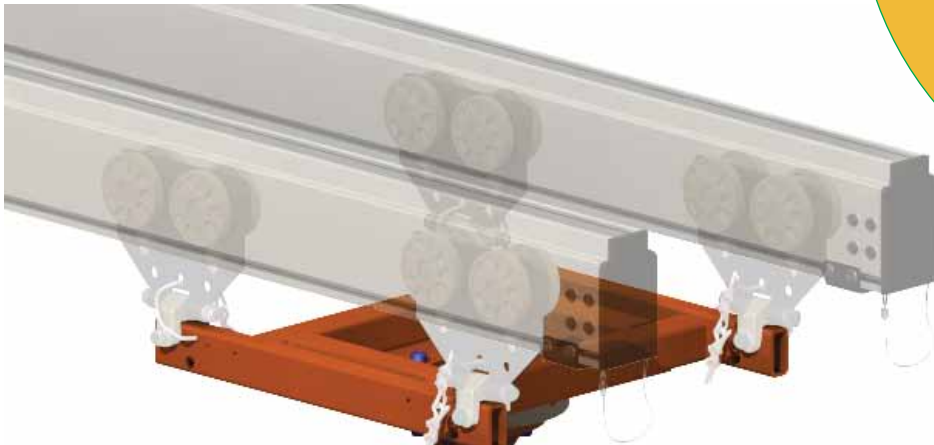
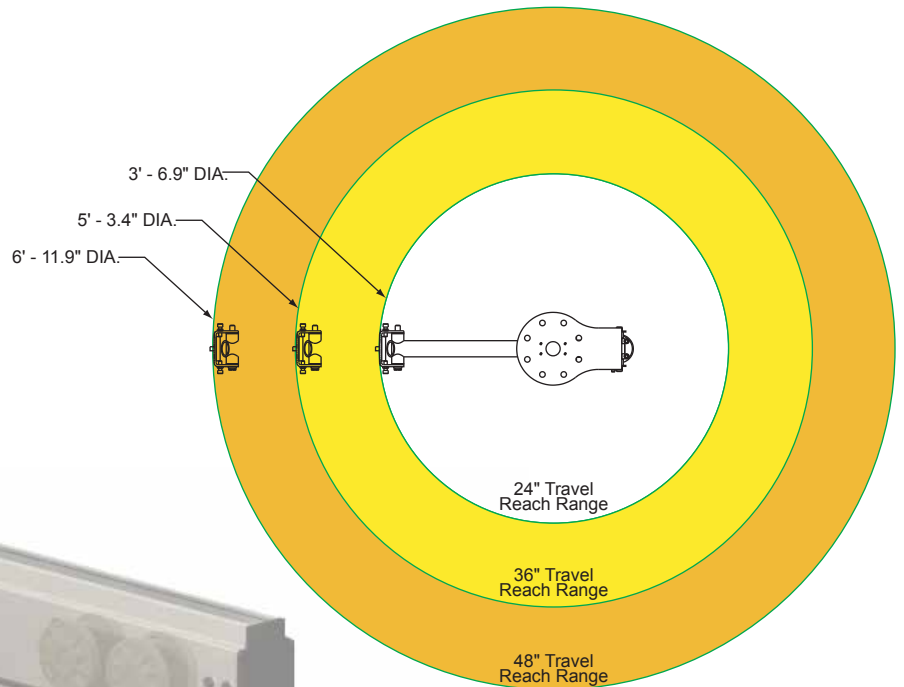


AOA5000 Articulating Arm

MAX CAPACITY @ 100 psi: 300 lbs[136kg]

- Zero-gravity tool balancing
- Elimination of torque reaction exposure
- Reduces operator fatigue
- Controls sold separately
 - Up/Down or Balance



Arm Lifting Capacity			
Arm Length "A"	60 P.S.I.	80 P.S.I.	100 P.S.I.
24" 609mm	175 lbs. 79kg	225 lbs. 102kg	300 lbs. 136kg
36" 914mm	105 lbs. 48kg	150 lbs. 68kg	205 lbs. 93kg
48" 1219mm	70 lbs. 32kg	110 lbs. 50kg	140 lbs. 63kg

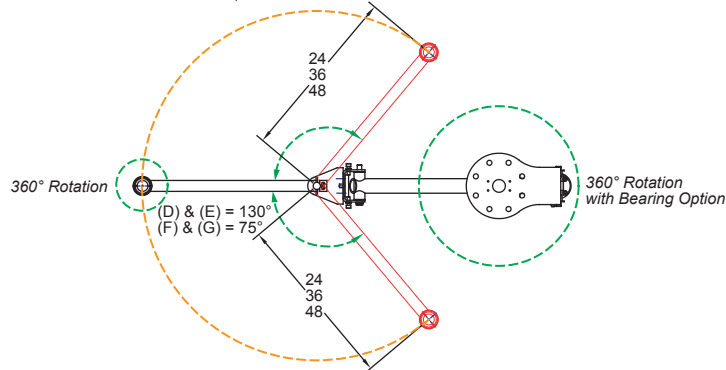
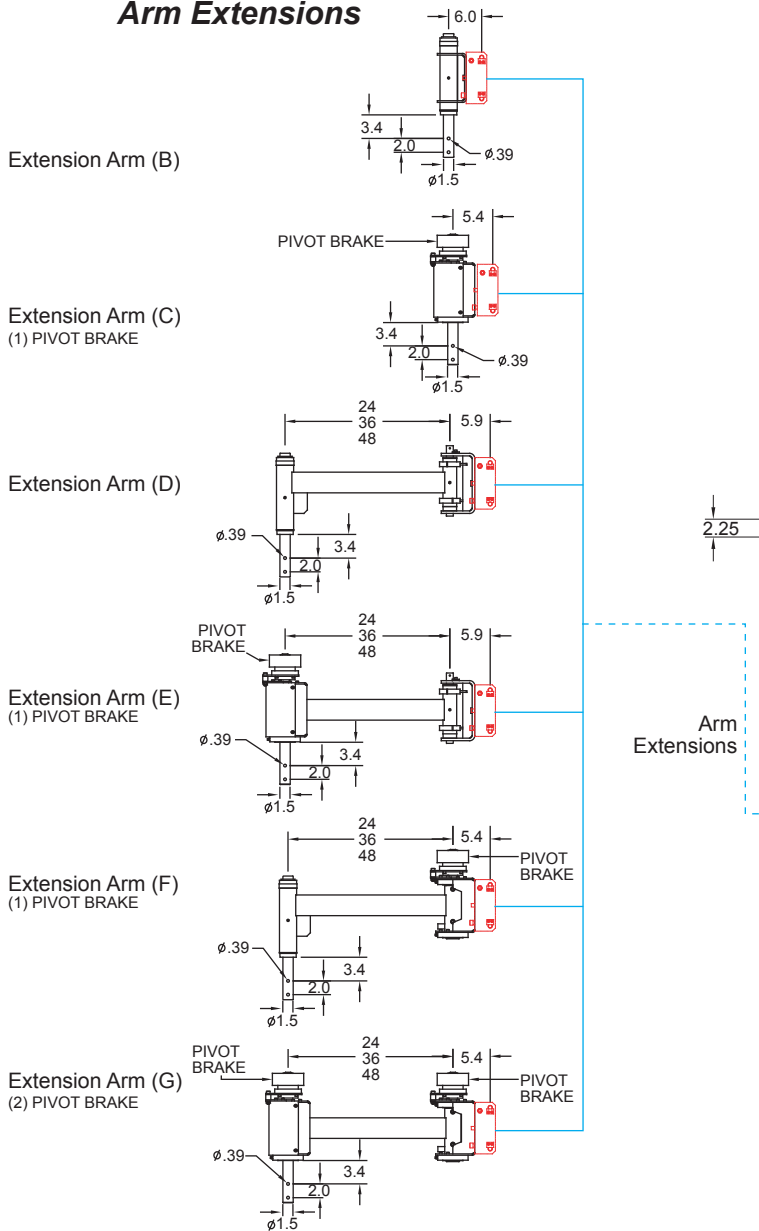
***Arm Capacity varies by reach of Arm
Arm Capacity reduced by weight of arm extension***

Arm Capacity based at this point

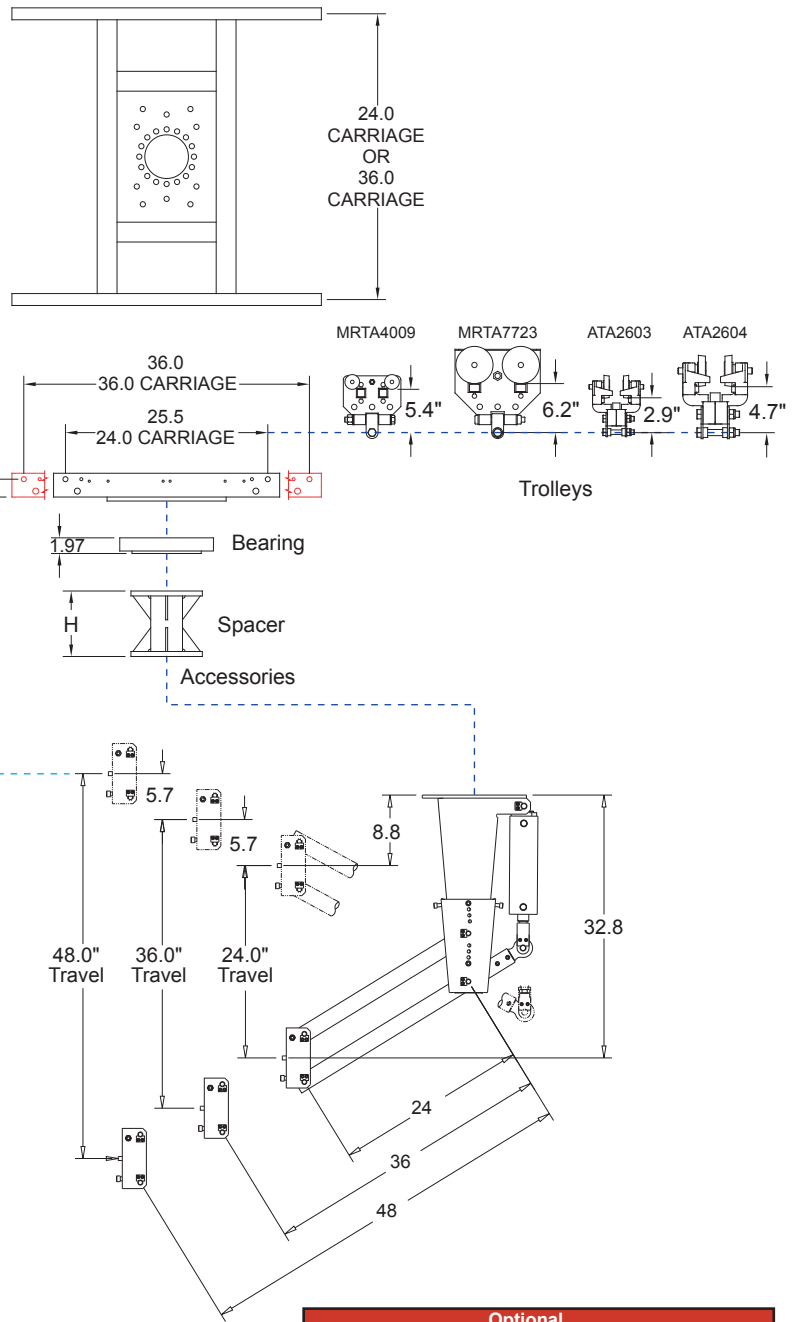
Arm Capacity reduced by weight of arm extension + fixture + part

KNIGHT TORQUE ARMS

Arm Extensions



Arm Accessories



Optional		
DESCRIPTION	MODEL #	
Knight RAD7510 Air Tractor	TRA5001	
Knight RAD4110 Air Tractor	TRA5000	
Knight Rail Brake	MRAA4359	

ORDER # EX: 5_24_G48_H99_J_L24

Arm Capacity reduced by weight of arm extension

Weight of Arm Extensions						
Ext. Arm (B)	Ext. Arm (C)	Reach	Ext. Arm (D)	Ext. Arm (E)	Ext. Arm (F)	Ext. Arm (G)
24.3 lbs. 11kg	35.8 lbs. 16kg	24" 609mm	41.6 lbs. 18kg	60.5 lbs. 27kg	57.4 lbs. 26kg	76.3 lbs. 34kg
		36" 914mm	46.5 lbs. 21kg	74.6 lbs. 33kg	72.5 lbs. 32kg	91.4 lbs. 41kg
		48" 1219mm	51.4 lbs. 23kg	89.8 lbs. 40kg	87.6 lbs. 39kg	106.5 lbs. 48kg

Optional [Omit if not required]

Arm Desc.	Arm Length	Arm Extension	Spacer	Bearing	Carriage
	5	XX	XXX	X	XXX
		24 36 48	B C D24, D36, or D48 E24, E36, or E48 F24, F36, or F48 G24, G36, or G48	J = yes K = no	L24 L36
ARM		ARM ACCESSORIES			