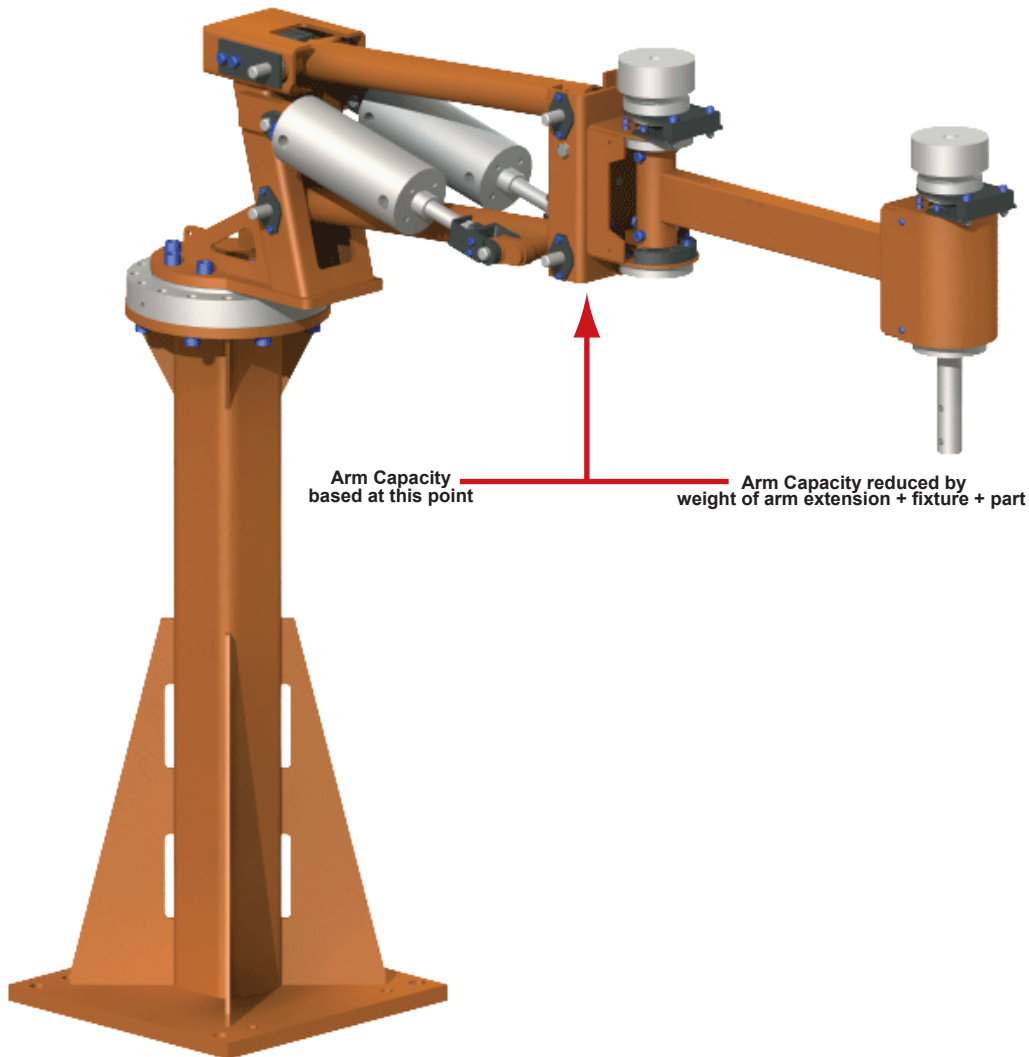
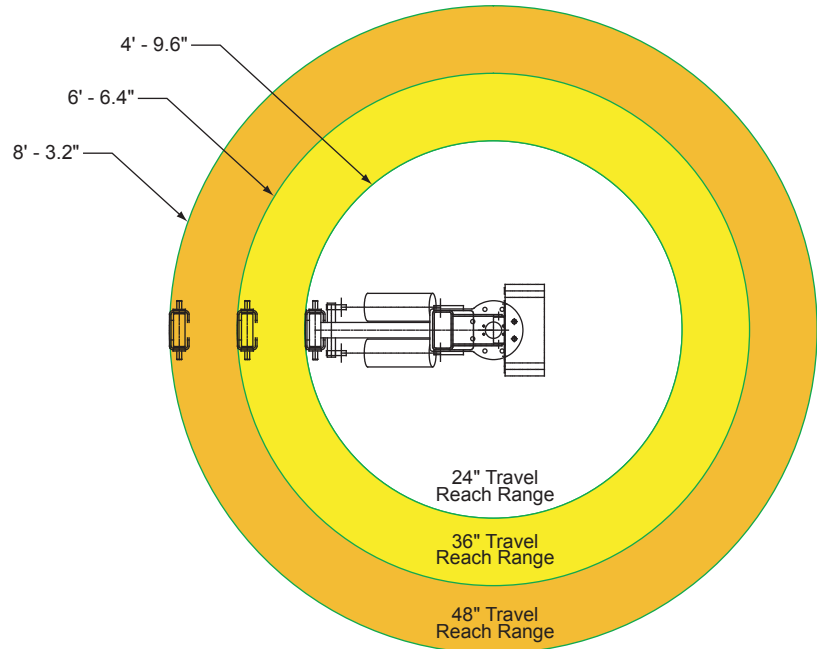


AAA6000 Articulating Arm

BALANCING CAPACITY MAX @ 100 psi: 425 lbs[192.8kg]

- Zero-gravity tool balancing
- Elimination of torque reaction exposure
- Reduces operator fatigue
- Controls sold separately
 - Up/Down or Balance



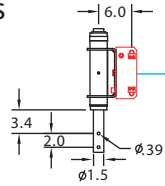
Arm Lifting Capacity			
Reach	60 P.S.I.	80 P.S.I.	100 P.S.I.
24"	275 lbs.	375 lbs.	425 lbs.
36"	150 lbs.	225 lbs.	325 lbs.
48"	100 lbs.	150 lbs.	250 lbs.

***Arm Capacity varies by reach of Arm
Arm Capacity reduced by weight of arm extension***

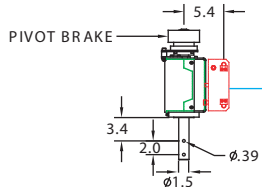
KNIGHT TORQUE ARMS

Arm Extensions

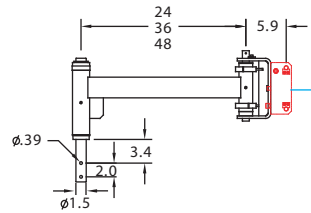
Extension Arm (B)



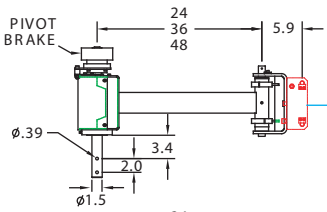
Extension Arm (C)
(1) PIVOT BRAKE



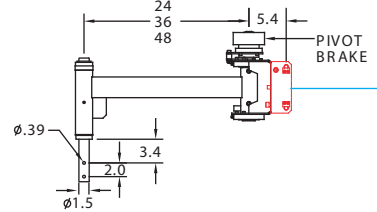
Extension Arm (D)



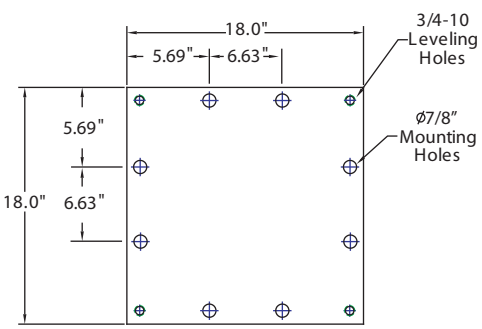
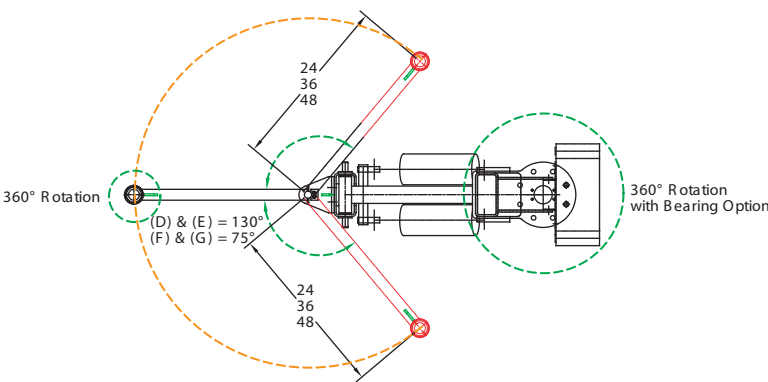
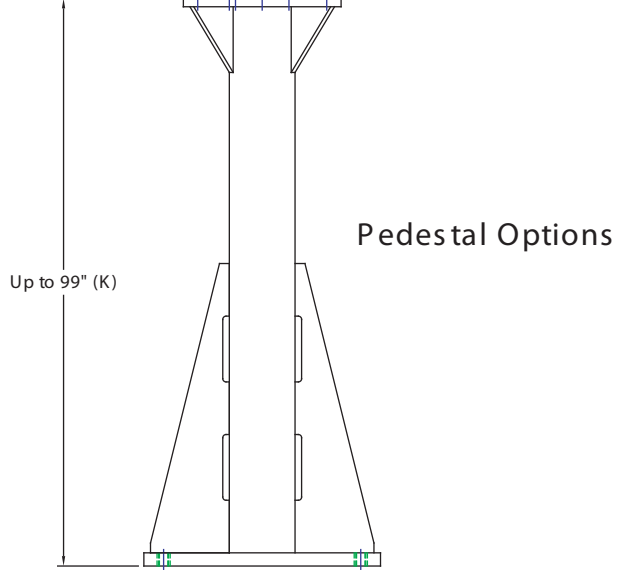
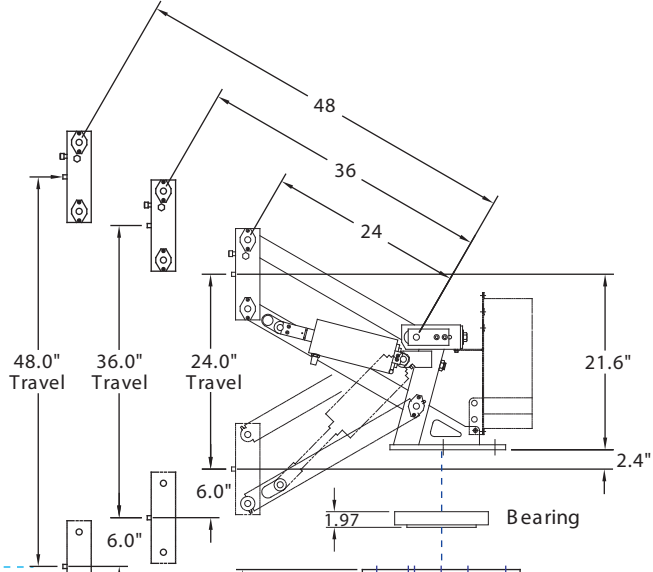
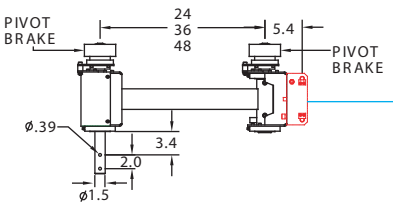
Extension Arm (E)
(1) PIVOT BRAKE



Extension Arm (F)
(1) PIVOT BRAKE



Extension Arm (G)
(2) PIVOT BRAKE



Arm Capacity reduced by weight of arm extension

Weight of Arm Extensions						
Ext. Arm (B)	Ext. Arm (C)	Reach	Ext. Arm (D)	Ext. Arm (E)	Ext. Arm (F)	Ext. Arm (G)
24.3 lbs.	35.8 lbs.	24"	41.6 lbs.	60.5 lbs.	57.4 lbs.	76.3 lbs.
		36"	46.5 lbs.	74.6 lbs.	72.5 lbs.	91.4 lbs.
		48"	51.4 lbs.	89.8 lbs.	87.6 lbs.	106.5 lbs.

ORDER # EX: P6_24_G48_H_K99

Optional [Omit if not required]				
Arm Desc.	Arm Length	Arm Extension	Bearing	Pedestal Height
P6	XX	XXX	X	XXX
	24 36 48	B C D24, D36, or D48 E24, E36, or E48 F24, F36, or F48 G24, G36, or G48	H = yes J = no	Specify Height (Inches) KXX
ARM		ARM ACCESSORIES		