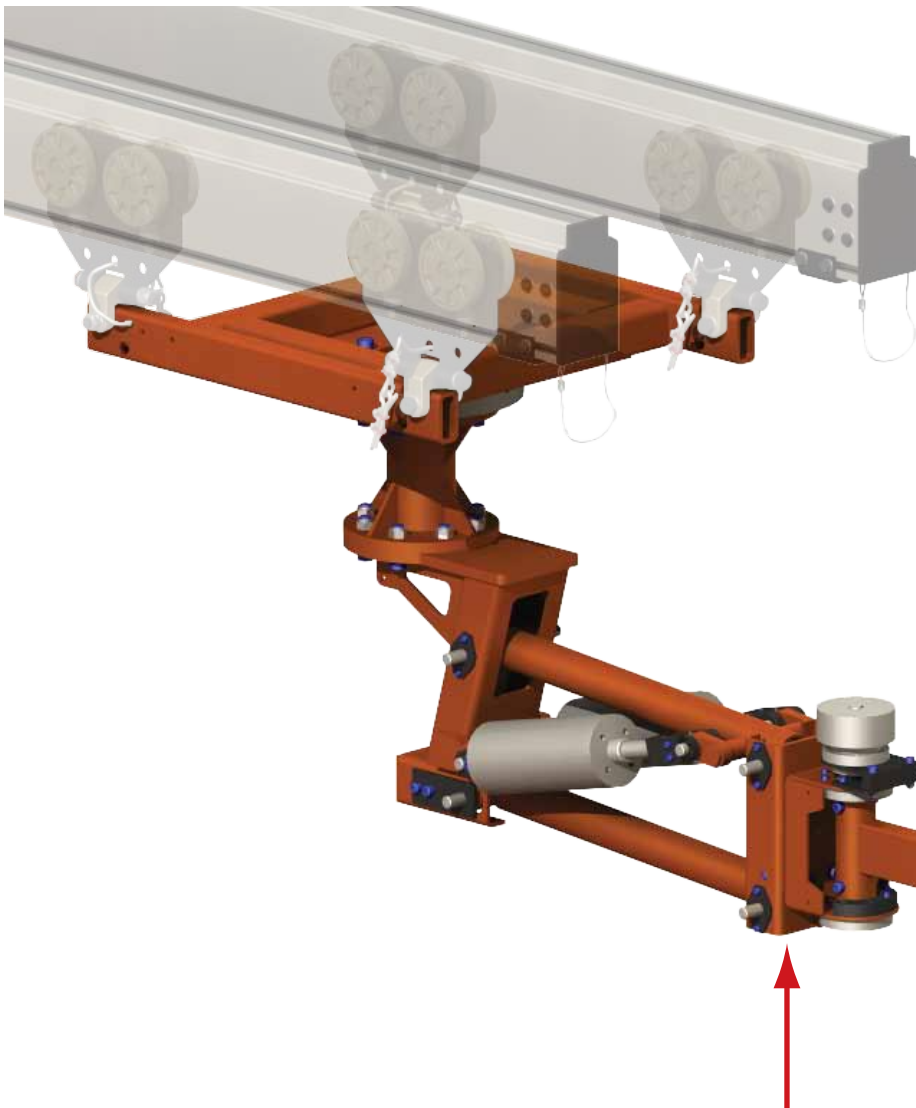
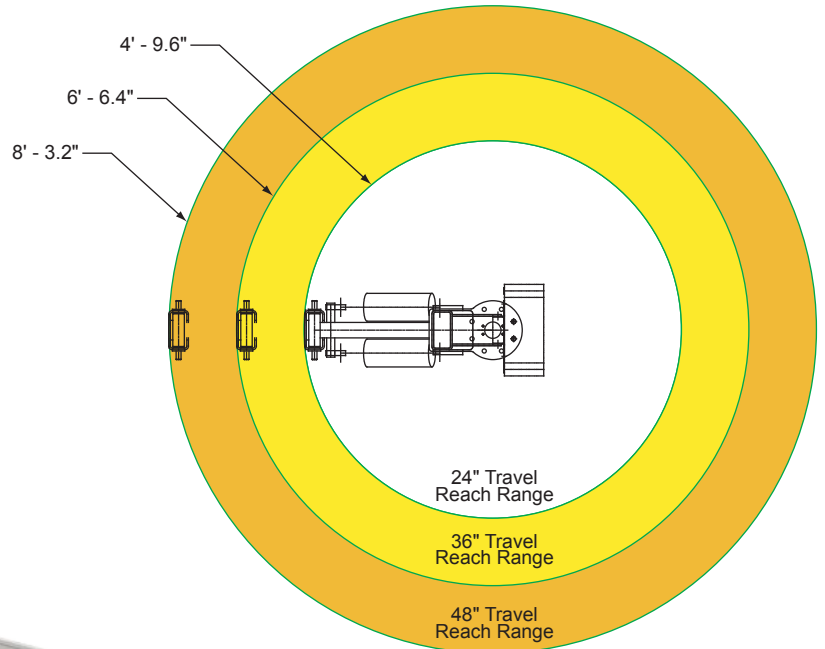


AAA6000 Articulating Arm

BALANCING CAPACITY MAX @ 100 psi: 425 lbs[192.8kg]

- Zero-gravity tool balancing
- Elimination of torque reaction exposure
- Reduces operator fatigue
- Controls sold separately
 - Up/Down or Balance



Arm Lifting Capacity			
Reach	60 P.S.I.	80 P.S.I.	100 P.S.I.
24" 609mm	275 lbs. 124kg	375 lbs. 170kg	425 lbs. 192kg
36" 914mm	150 lbs. 68kg	225 lbs. 102kg	325 lbs. 147kg
48" 1219mm	100 lbs. 45kg	150 lbs. 68kg	250 lbs. 113kg

***Arm Capacity varies by reach of Arm
Arm Capacity reduced by weight of arm extension***

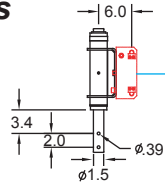
Arm Capacity based at this point

Arm Capacity reduced by weight of arm extension + fixture + part

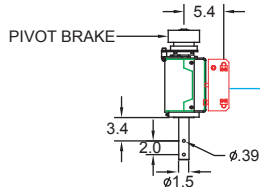
KNIGHT TORQUE ARMS

Arm Extensions

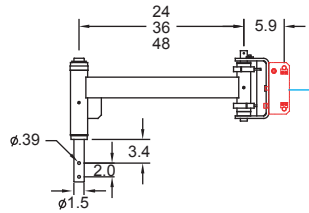
Extension Arm (B)



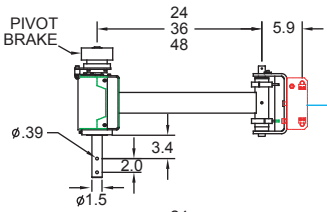
Extension Arm (C)
(1) PIVOT BRAKE



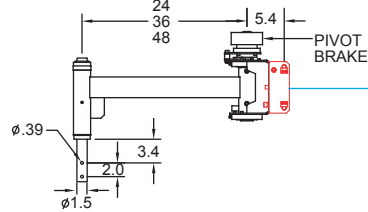
Extension Arm (D)



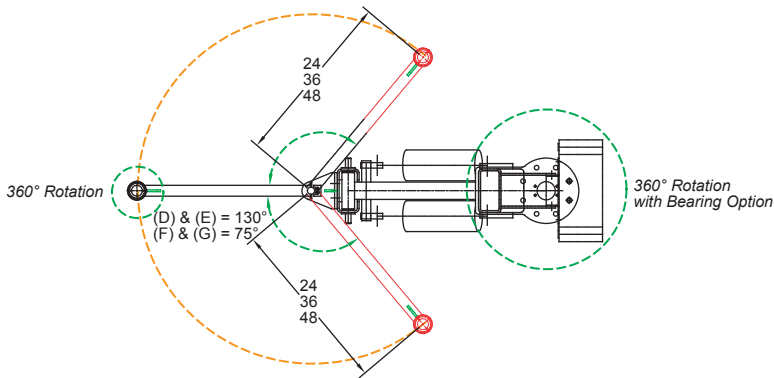
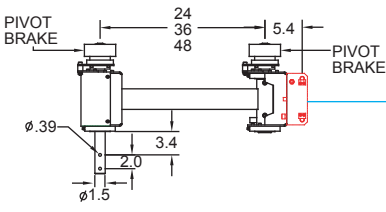
Extension Arm (E)
(1) PIVOT BRAKE



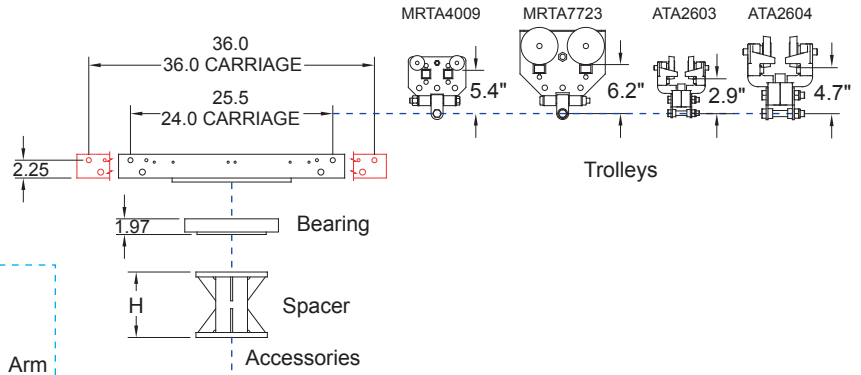
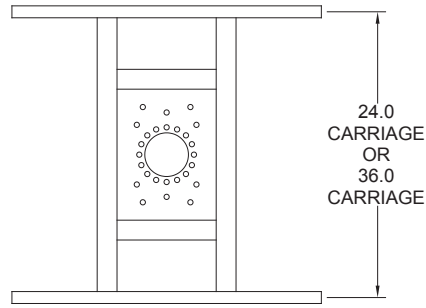
Extension Arm (F)
(1) PIVOT BRAKE



Extension Arm (G)
(2) PIVOT BRAKE

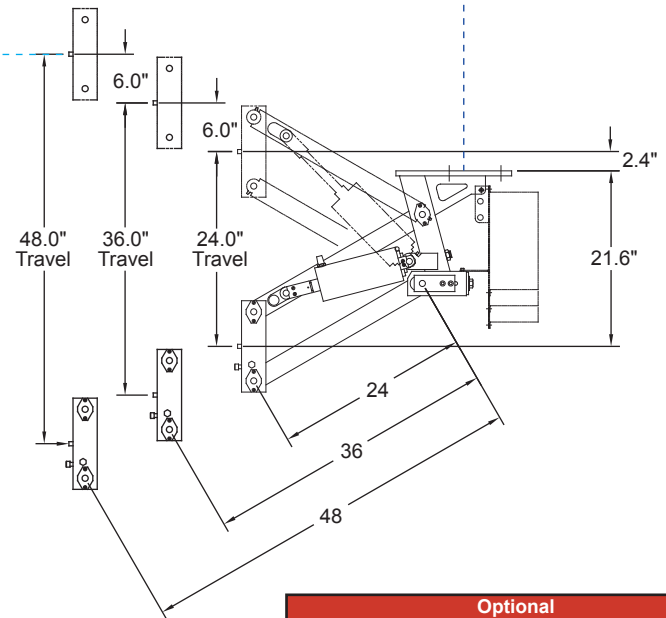


Arm Accessories



Arm Extensions

Accessories



Optional		
DESCRIPTION	MODEL #	
Knight RAD7510 Air Tractor	TRA5001	
RAD4110 Air Tractor	TRA5000	
Knight Rail Brake	MRAA4359	

ORDER # EX: 6_24_G48_H99_J_L24

Arm Capacity reduced by weight of arm extension

Weight of Arm Extensions						
Ext. Arm (B)	Ext. Arm (C)	Reach	Ext. Arm (D)	Ext. Arm (E)	Ext. Arm (F)	Ext. Arm (G)
24.3 lbs. 11kg	35.8 lbs. 16kg	24" 609mm	41.6 lbs. 18kg	60.5 lbs. 27kg	57.4 lbs. 26kg	76.3 lbs. 34kg
		36" 914mm	46.5 lbs. 21kg	74.6 lbs. 33kg	72.5 lbs. 32kg	91.4 lbs. 41kg
		48" 1219mm	51.4 lbs. 23kg	89.8 lbs. 40kg	87.6 lbs. 39kg	106.5 lbs. 48kg

Optional [Omit if not required]					
Arm Desc.	Arm Length	Arm Extension	Spacer	Bearing	Carriage
6	XX	XXX	XXX	X	XXX
	24 36 48	B C D24, D36, or D48 E24, E36, or E48 F24, F36, or F48 G24, G36, or G48	Specify Length (Inches) HXX	J = yes K = no	L24 L36
ARM			ARM ACCESSORIES		