

Secondary Restraint Cable Installation for Curved Rail I-Beam Hangers MRHS4615 and MRHS4616

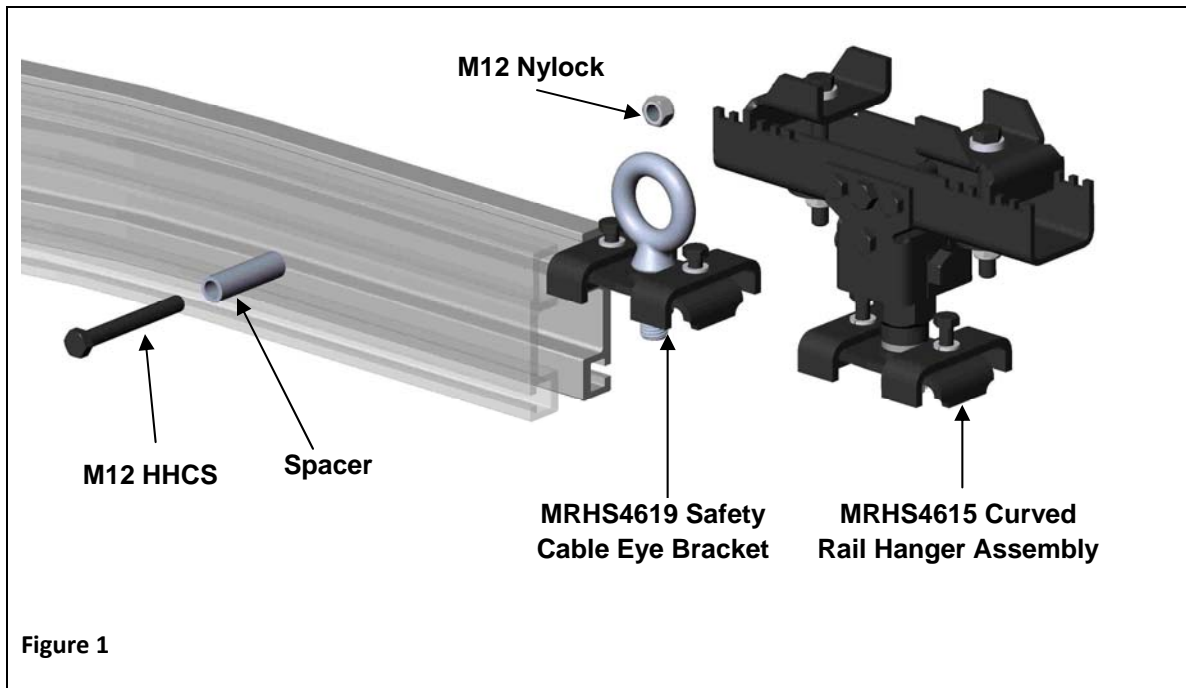
Parts needed:

1. Knight Global RWA4133 Safety Cable Kit for each Hanger
 - o (1) Standard 5 ft (1.5m) cable
 - o (4) U-bolt Clips
 - o (2) Thimbles
2. MRHS4619 Safety Cable Eye Brackets
3. MRHS4615 Hanger Assembly (2"-7" I-Beam Flange) or MRHS4616 Hanger Assembly (7"-11" I-Beam Flange)

		
<p>RWA4133 Safety Cable Kit</p>	<p>MRHS4619 Safety Cable Eye Bracket</p>	<p>Curved Rail Hanger Assembly</p>

Installation:

1. Remove existing curved rail system from overhead structure and lower to floor. (Leave hangers attached to rail)
2. Mark location of hangers on the rail system.
3. Remove M12x1.75 HHCS bolts, M12 Nylock nuts, and RHD4155 spacers that hold the two sections of rail together. (Figure 1)
4. Remove existing hanger assemblies from rail.
5. Locate MRHS4615 hangers and MRHS4619 Safety Cable Eye Brackets into position.
6. Re-install M12x1.75 HHCS bolts, M12 Nylock nuts, and RHD4155 spacers that hold the two sections of rail together. (Figure 1)



7. Tighten the (2) M10x1.5 HHCS bolts on top of the MRHS4619 Safety Cable Eye Bracket Assembly bracket to the top channel of the rail
8. Tighten the (2) M10x1.5 HHCS bolts on top of the MRHS4615 Hanger Assembly bracket to the top channel of the rail.

9. Once all hangers and safety cable brackets are secure, raise the rail and attach hangers to overhead structure.
10. Refer to safety cable guide attachment for recommended safety cabling.
NOTE: (Step 4. of guide should read “Feed cable through MRHS4619 Safety Cable Eye Bracket and over the structural beam.”)

